

BSW MOVING HEAD USER MANUAL



SPL-MHL-380BSW

Please read and keep this manual carefully for further use!

Thank you for buying our professional Beam moving head.

This user manual includes important information for installation and operation, so please read this user manual carefully before installation and operation, and keep this user manual well for further use.

In order to install , operate, and maintain the lighting safety and correctly. We suggest that the installation and operation should be done by the verified technician and follow the instruction strictly.

Spare part includes:

Name	QTY	Unit
Fixture	1	PC
User manual	1	PC
Power cable	1	PC
DMX signal cable	1	PC
Safety rope	1	PC

Please check carefully that there is no damage caused by transportation. Should there be any, consult your local dealer.

Cautions

Before delivery, this device has passed strict inspection, Please follow the user manual strictly for operation, if this fixture is damaged by improper operation and mistake, the fixture will be out of warranty, and manufacture or dealer won't be responsible for it. In case of any technology change in this manual,we won't advise in further .

CAUTION!



Keep this device away from rain and moisture!



Unplug mains lead before opening the housing!



Warning!

Damages caused by the disregard of this user manual are not subject to warranty. The dealer will not accept liability for any resulting defects or problems.

Installation

CAUTION!



Please consider the GB7000.15/EN60598-2-17 and the other respective national norms during The installation. The installation must only be carried out by a qualified person.

▶ This fixture is not suitable for direct installation on combustible material surface, please keep the fixture surface at least 0.5m from any combustible material.

▶ If you use the quick lock cam in hanging up the fixture, please make sure the quick lock fasteners turned in the quick lock holes correctly.

▶ The applicable temperature for the fixture is between -25°C to 45°C. Do not use the lighting under or above this temperature range.

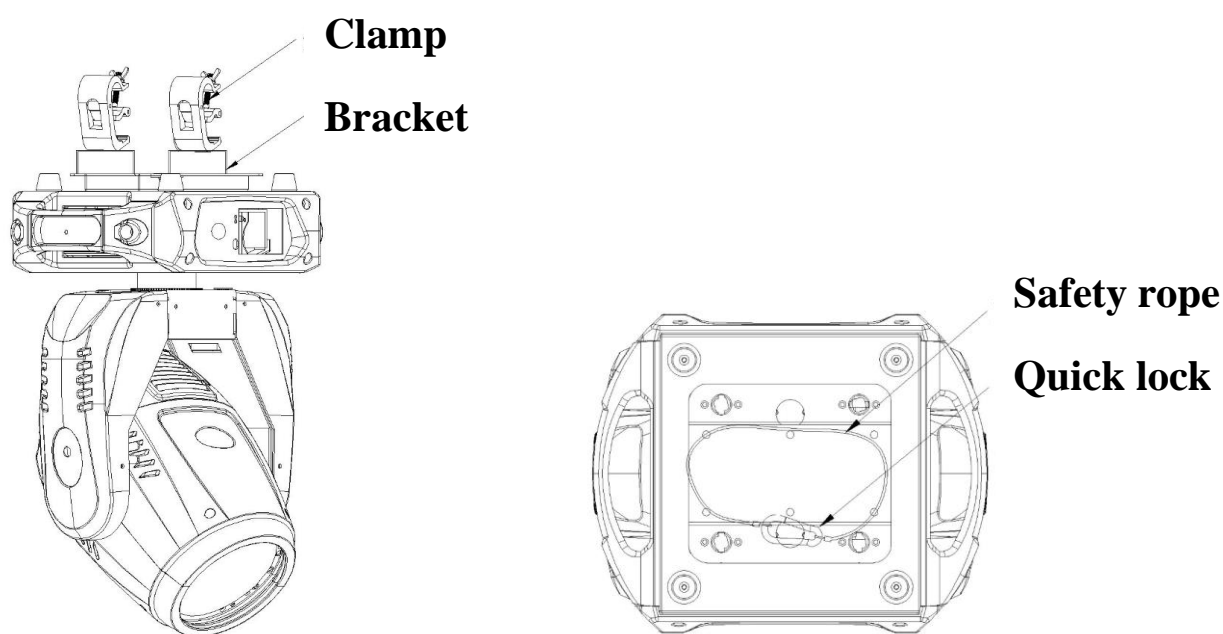
▶ The truss for hanging the fixture should be able to hold 10 times weight of this fixture and no deformation after 1 hour hang.

▶ Please don't stand under the fixture when install, uninstall, move or repair the fixture.

▶ Please ensure the light is connected correctly and invite professional technician to check and confirm the electrical data before installation.

▶ Please invite professional technician to check the fixture and installation each year.

Rigging:



Insert the quick-lock fasteners of the first holder into the respective holes on the bottom of the device. Tighten the quick-lock fasteners fully clockwise.

Fix the clamp on truss or other fixture bracket.

Pull the safety rope through the holes on the bottom of the base and fasten it on the truss or other fixing point.

Note: This step is quite important to ensure that fixture will not drop down for the clamp damage.

Product specification

1. Voltage: 100-240V, 50/60HZ;

2. Power Consumption: 580W;

3. Lamp: Philips 380W

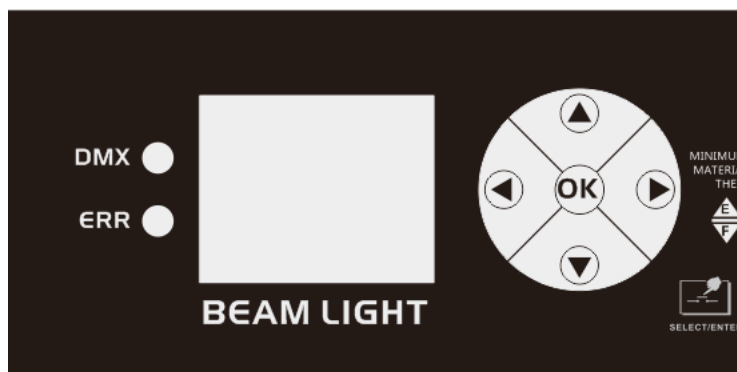
4. Fuse: 8A/250V, ϕ 5*20

5. DMX Channel: 24CH

- 6. Operation mode: master-slave/DMX/Auto
- 7. Focus/Zoom: Yes
- 8. Fixed gobo: 11 gobos+open+ Filter
Flame plate: 2+1+1 gobos
- 9. Strobe: 25Hz
- 10. Color: 12 colors+open
- 11. Prism 1: 8+16-facet
- 12. Prism 2:16-facet
- 13. Pan: 540°
- 14. Tilt: 270°
- 15. Frost / Six-color effect: Yes
- 16. RDM: Yes
- 17. Display: LCD touch screen

Display and operation

Touch button	Function
Up	Option, Edit
Down	Option, Edit
Left	Backtrack, Edit
Right	Backtrack, Edit
OK	Enter to edit , confirm



Setting:

Main Menu	Menu 1	Menu 2
DMX setting	DMX Channel	24CH
	DMX signal	- 4 Hold Clear
	RDM	On

		Off
	DMX monitor	
Fixture test	Auto	Off
		On
	Manual	1.Color 000-255
		2.Shutter/strobe 000-255
	
		19.frost 000-255
	Reset	
	XY Reset	
MT Reset		
System Info	Temperature	Display panel temperature
		Motor board temperature
	Fan	Fan speed
	system version	
	System time	Total usage time
		time of this use
		Total lamp-on time
		Time of this lamp-on
	Sensor monitoring	X hall
		Y hall
		color hall
		Pattern Hall
		effect pattern hall
		Glass gobo hall
		Focus Hall
		Zoom Hall
		Prism 1 Hall
		Prism 2 Hall
		X encoding status
		Y encoding status
X encoding step value		
Y encoding step value		
system error		
Fixture setting	Language	English
		Chinese
	screen flip off	off
		on
	screen saver	on
		off
	X reverse	off
		on
	Y reverse	off
		on
	XY swap	off
		on

	XY encoder	on
		off
	Linear change of color wheel	on
	reset	off
Factory setting (The password is "up up down down".)	Motor Calibration	X
		Y
		Color
		Pattern
		effect pattern
		Glass gobo
		focus
		zoom
		Dimming zero
		Dimming stroke
		Prism 1 Zero
		Prism 1 stroke
		Prism 2 Zero
		Prism 2 stroke
		Forst stroke
	Stroke calibration	X stroke
		Y stroke
		Focus stroke
		Zoom stroke
	XY speed adjustment	X speed
		Y speed
	Fan adjustment	White-on fan
		Color-on fan
		White-off fan
		Color-ff fan

24 DMX channel

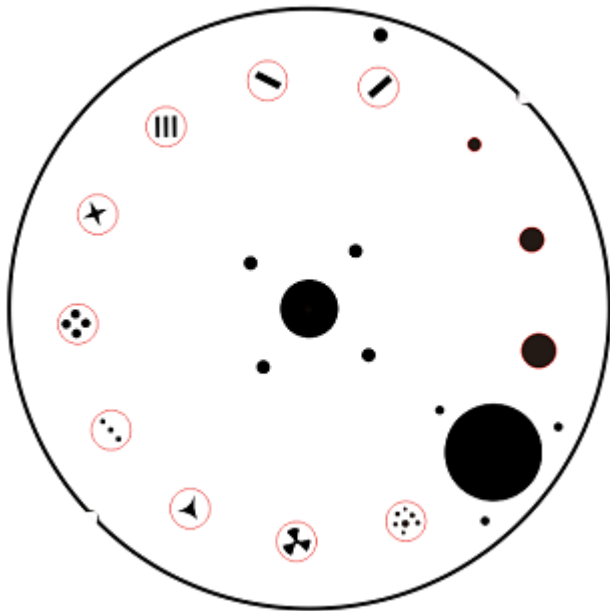
24CH	Function	Value	Details
CH1	Color wheel	000-004	White
		005 -009	White+Color 1
		010 - 014	Color 1
		015 - 019	Color 1+color 2
		020 - 024	Color 2
		025 - 029	Color 2+color 3
		030 - 034	Color 3
		035 - 039	Color 3+color 4
		040 - 044	Color 4
		045 - 049	Color 4+color 5
		050 - 054	Color 5

		055 - 059 060 - 064 065 - 069 070 - 074 075 - 079 080 - 084 085 - 089 090 - 094 095 - 099 100 -104 105 -109 110 -114 115 -119 120 -124 125-129 130 -192 193 - 255	Color 5+color 6 Color 6 Color 6+color 7 Color 7 Color 7+color 8 Color 8 Color 8+color 9 Color 9 Color 9+color 10 Color 10 Color 10+color 11 Color 11 Color 11+color 12 Color 12 Color 12+White Forward flow (from fast to slow) Reverse flow (from slow to fast)
CH2	Shutter /strobe	000-003 004-250 251-255	Shutter closed Strobe from slow to fast Open the shutter → (controlled by the dimming channel)
CH3	dimmer	000-255	dimmer from dark to bright
CH4	gobo wheel	000 - 004 005 - 009 010 - 014 015 - 019 020 - 024 025 - 029 030 - 034 035 - 039 040 - 044 045 - 049 050 - 054 055 - 059 060 - 064 065 - 069 070 - 074 075 - 079 080 - 084 085 - 089 090 - 094 095 - 099 100 - 104 105 - 109 110 - 114 115 - 119 120 - 187 188 - 255	gobo 1 gobo 2 gobo 3 gobo 4 gobo 5 gobo 6 gobo 7 gobo 8 gobo 9 gobo 10 gobo 11 gobo 12 gobo 1 shake slow to fast gobo 2 shake slow to fast gobo 3 shake slow to fast gobo 4 shake slow to fast gobo 5 shake slow to fast gobo 6 shake slow to fast gobo 7 shake slow to fast gobo 8 shake slow to fast gobo 9 shake slow to fast gobo 10 shake slow to fast gobo 11 shake slow to fast gobo 12 shake slow to fast Reverse flow (from fast to slow) Forward flow (from slow to fast)
CH5	Effect gobo	000 - 009 010 - 019 020 -029 030 - 114	gobo 1 (blank) gobo 2 gobo 3 gobo 4 (water pattern)

		115 - 134 135 - 154 155 - 255	gobo 2 shake slow to fast gobo 3 shake slow to fast gobo 4 (water pattern) slow to fast
CH6	Glass gobo	000 - 009 010 - 019 020 - 029 030 - 039 040 - 049 050 - 059 060 - 069 070 - 079 080 - 089 090 - 099 100 - 109 110 - 119 120 - 129 130 - 139 140 - 149 150 - 200 201 - 255	gobo 1 gobo 2 gobo 3 gobo 4 gobo 5 gobo 6 gobo 7 gobo 8 gobo 2 shake slow to fast gobo 3 shake slow to fast gobo 4 shake slow to fast gobo 5 shake slow to fast gobo 6 shake slow to fast gobo 7 shake slow to fast gobo 8 shake slow to fast Forward flow (from fast to slow) Reverse flow (from slow to fast)
CH7	Glass gobo rotation	000-127 128-191 192-255	Angle adjustment Forward rotation fast to slow Reverse rotation slow to fast
CH8	Prism 1	000-127 128-255	no effect prism 1
CH9	Prism1 rotation	000-127 128-191 192-255	prism angle adjustment Reverse rotation fast to slow Forward rotation slow to fast
CH10	Prism 2	000-127 128-255	no effect prism 2
CH11	Prism2 rotation	000-127 128-191 192-255	prism angle adjustment Reverse rotation fast to slow Forward rotation slow to fast
CH12	Zoom	000-255	Pattern clarity from far to near
CH13	focus	000-255	Pattern clarity from far to near
CH14	pan	000-255	0-540 degree
CH15	pan fine	000-255	0-1.2 degree
CH16	tilt	000-255	0-270 degree
CH17	tilt fine	000-255	0-1.2 degree
CH18	XY speed	000-255	speed fast to slow
CH19	frost	000-127 128-255	no function frost
CH20	Lamp control & Reset	000-099 100-105 200-205 250-255	no function Lamp off Lamp on all motors reset
CH21	Hold	000-255	- 8 -
CH22	Color speed	000-255	Speed from slow to fast

CH23	Dimmer speed	000-255	Speed from slow to fast
CH24	gobo speed	000-255	Speed from slow to fast

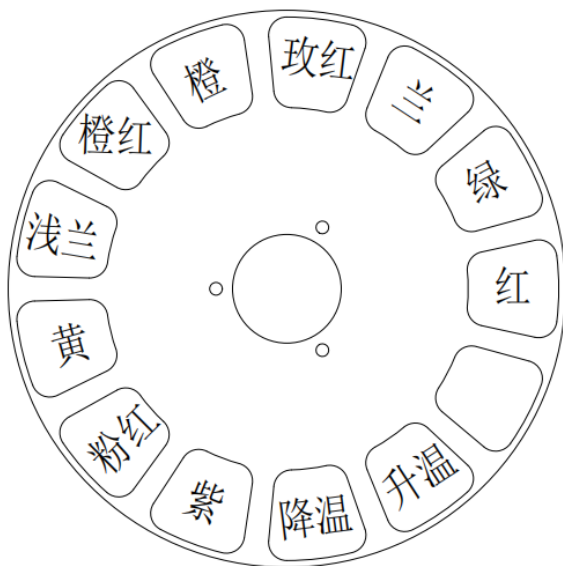
Gobo wheel



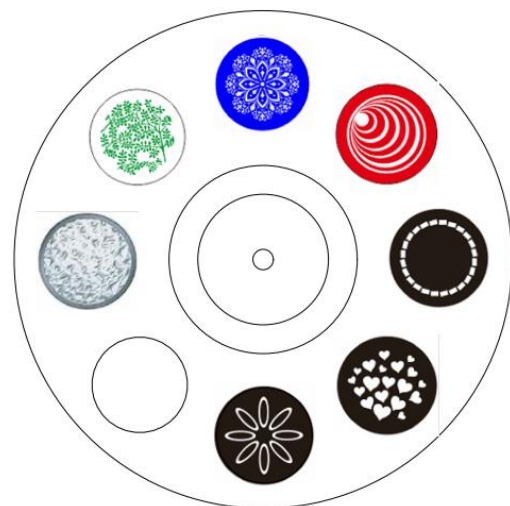
Flame plate



Color wheel



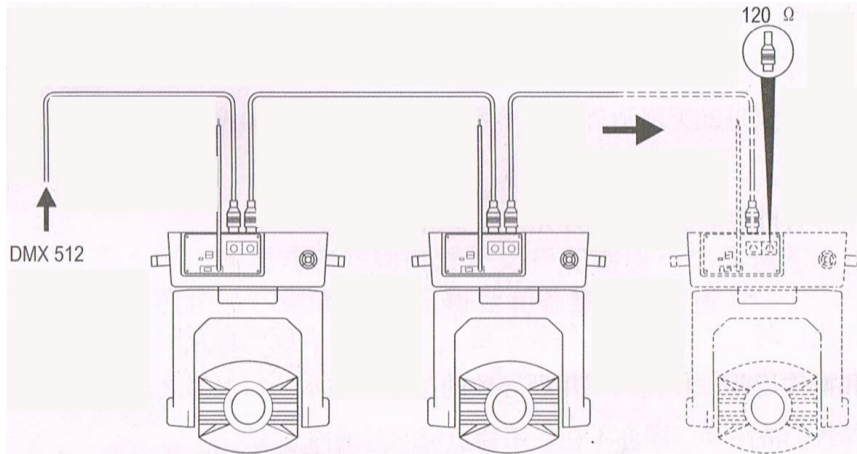
Rotation wheel



DMX-512 connection

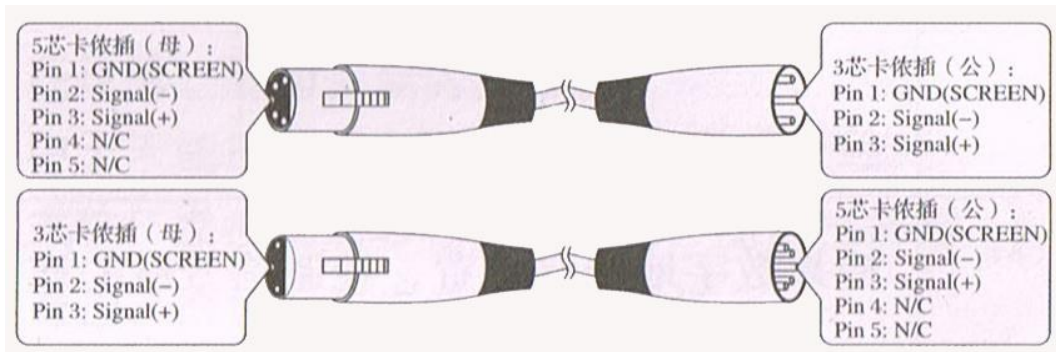
Connect the provided XLR cable to the male 3-pin XLR output of your controller and the other side to the female 3-pin XLR input of the light. then connect the DMX signal to the first fixture to the 2nd fixture, after all fixtures are connected,

The signal cable should be two - core with screened cable with XLR input and output connectors. Please refer to the diagram below

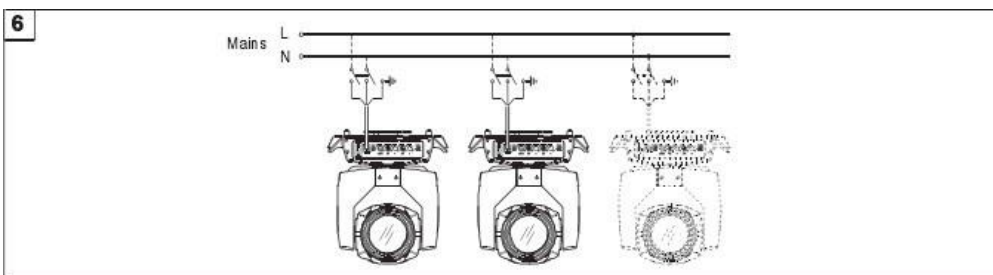


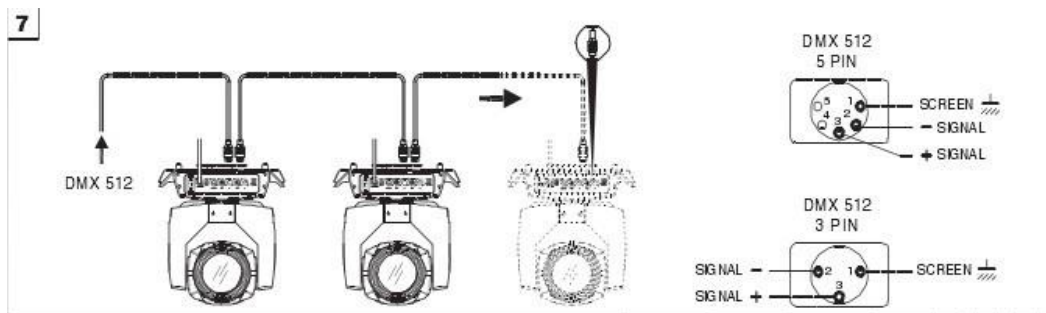
DMX terminator connection

If there are many lines or lights, it is recommended to use a DMX terminator to prevent DMX signal corruption, the DMX terminator is an simple XLR plug with a 120 Ω resistor connected between pins 2 and 3, which is then plugged into the output XLR socket of the last fixture in the chain.



3-Pins connection





Cleaning and maintenance

Cleaning should be performed every 15-day period, by using a sponge which is dipped with alcohol, rather than wet cloth or other chemical liquid, to clean the mirror.



CAUTION

Cut off power before cleaning and maintenance!

Attention

Do not see directly light source when open the light, and make sure power off before do any installation or maintenance.



CAUTION!

Never look directly into the light source,
as sensitive persons may suffer an epileptic shock.



CAUTION

Wires connection must be done professional person!

Cautions

Before delivery, this device has passed strict inspection, Please follow the user manual strictly for operation, if this fixture is damaged by improper operation and mistake, the fixture will be out of warranty, and manufacture or dealer won't be responsible for it. In case of any technology change in this manual, we won't advise in further .

Common issues instruction

Issues	Solve instruction
No power	Check power's voltage
When power in, output light but the device cannot accept control signal	Check address setting and the control DMX cable connection well or not
The effect have light shadow	Check electronic focus DMX channel value, if it's suitable distance
Light beam dim	The lamp maybe arrived end of using life, should change new lamp, and also check light source cleaning

	or not
--	--------

Note: the maintenance should be done by the verified technician.

Warranty Card

This product is made of high-brightness transistor. We will provide 1 year warranty under the condition that user has operated the light normally and lifetime service. We won't provide warranty if the damage is caused by artificial or force majeure event. Cost of fittings should be charged by user if product need maintenance after 1 year .Please cut this warranty card and shipped it along with the product to our factory when applying for warranty.

Product:

Purchasing date:

Code of invoice:

Warranty date: From

To

User's name:

Add:

Company:

Tel: